

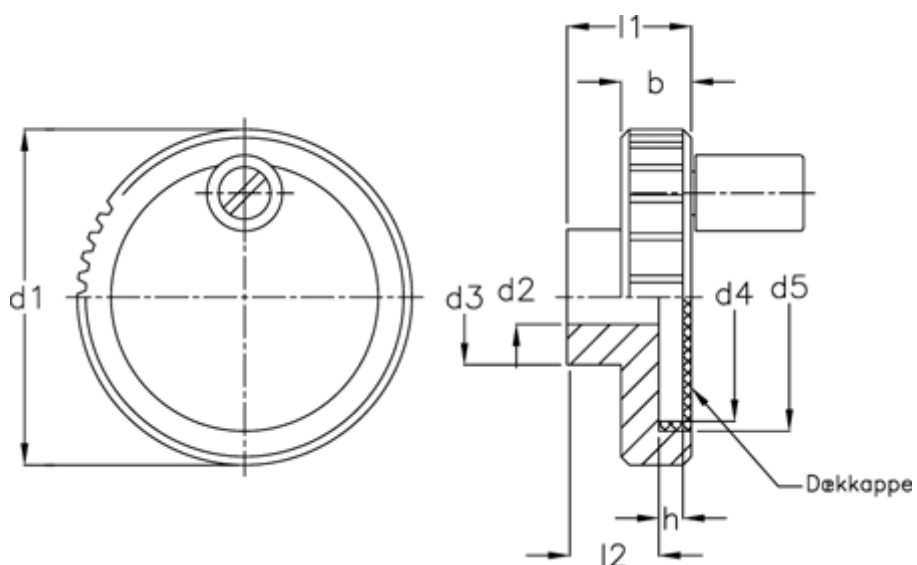
Data Sheet



Article number: 20886469

Description: E+G Control handwheel
GN 736-52-B10-D

Measures



b -0.5	= 13	Handle	= 13
d1	= 52	l1	= 23
d2 H8 without slot	= B 10	l2	= 17
d2 H8 with slot	= K 10		
d3	= 22		
d4	= 37		
d5	= 39.5		
h	= 3.8		